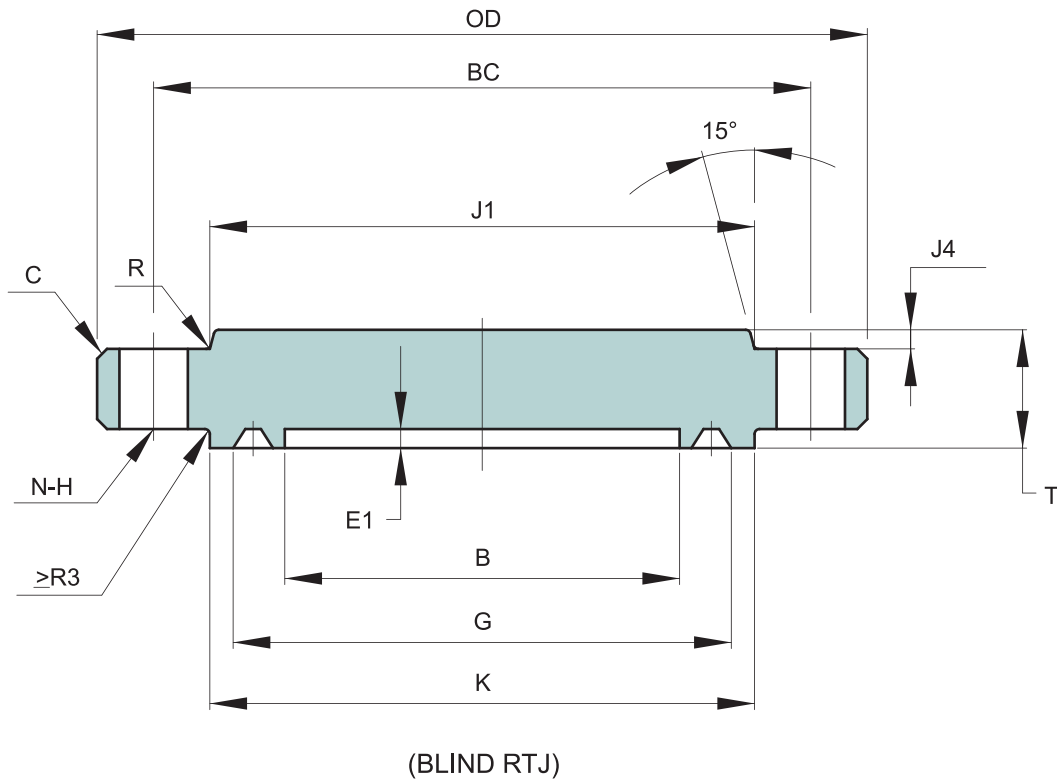


## API 6A - TYPE - 6BX 34.5 MPA (5000 PSI)



UNIT : mm

Size	OD	C	E1	G	K	T	J1	J4	R	BC	N	H	Ring Number
													BX
13 5/8"	675	6	14.3	408.00	457	112.8	481.0	23.9	16	590.60	16	45	160
16 3/4"	770	6	8.3	478.33	535	130.2	555.6	17.5	19	676.30	16	51	162
18 3/4"	905	6	18.3	563.50	627	165.9	674.7	19.1	16	803.30	20	54	163
21 1/4"	990	6	19.1	632.56	702	181.0	758.8	22.4	18	885.80	24	54	165

NOTE :

- 1) TOLERANCE ACCORDING TO API 6A-20TH
- 2) RING GASKET ACCORDING TO API 6A-20TH